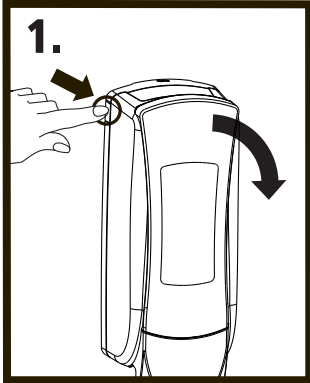


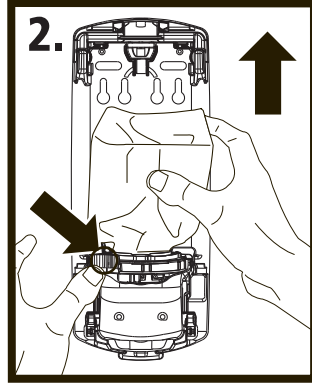
GOJO ADX-7™ & ADX-12™ REFILL LOADING INSTRUCTIONS

These instructions apply to GOJO®, PURELL® and PROVON® brand ADX-7 and ADX-12 dispensers, MICRELL® and HAND MEDIC® brand ADX-7 dispensers.

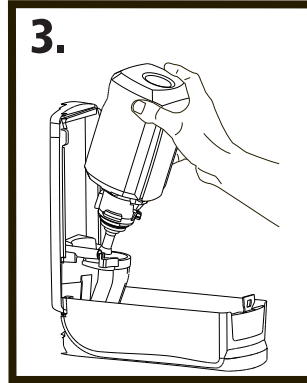
Please read all instructions carefully before loading the refill.



Open dispenser by pushing on one of the dual side latches until it releases and pull down on front cover.



If removing used refill, push latch to release refill. Remove refill and dispose. See recycling instructions below.

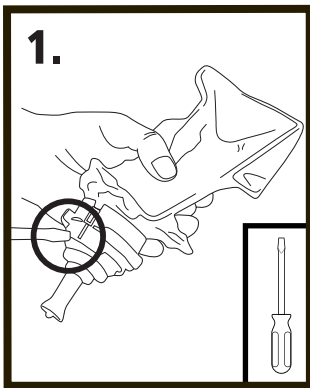


Push refill pump down into pump house, ensuring collar snaps into place.

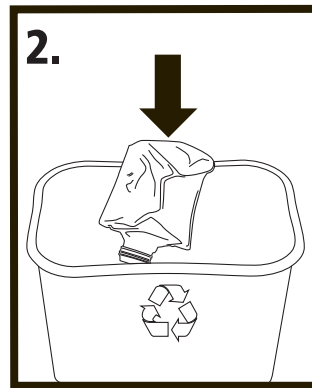


Close dispenser cover.

RECYCLING INSTRUCTIONS



Using a flat-head screwdriver, remove collar and cap on refill bottle and discard.



Refill is recyclable.



GOJO Industries, Inc.
One GOJO Plaza, Suite 500
P.O. Box 991 • Akron, OH 44309-0991
Tel: 1-330-255-6000 • Toll-free: 1-800-321-9647
Fax: 1-800-FAX-GOJO

©2015. GOJO Industries, Inc. All rights reserved.